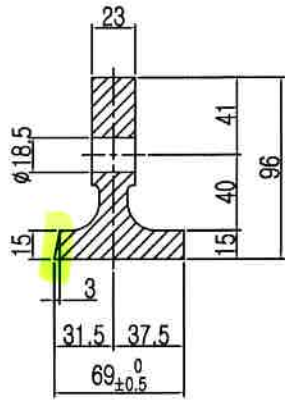


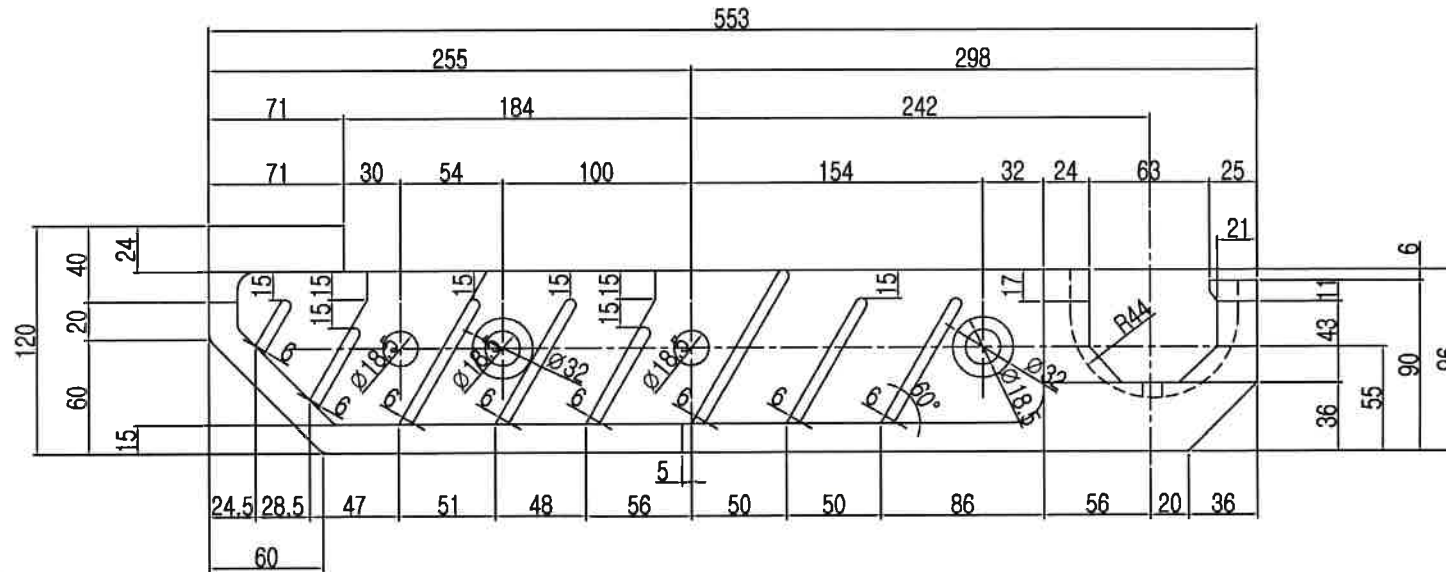
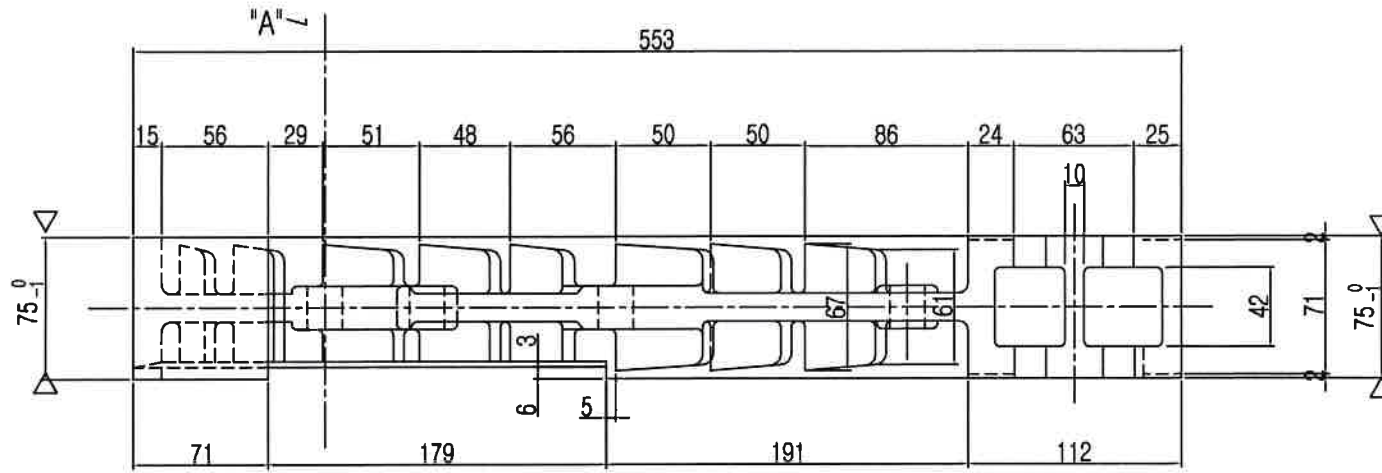




NO.	DESCRIPTION	SIZE	MATERIAL	Q'TY	WEIGHT (kg)		REMARKS
					UNIT	TOTAL	
1	003		28%Cr Cast Iron	667			



SECTION "A"

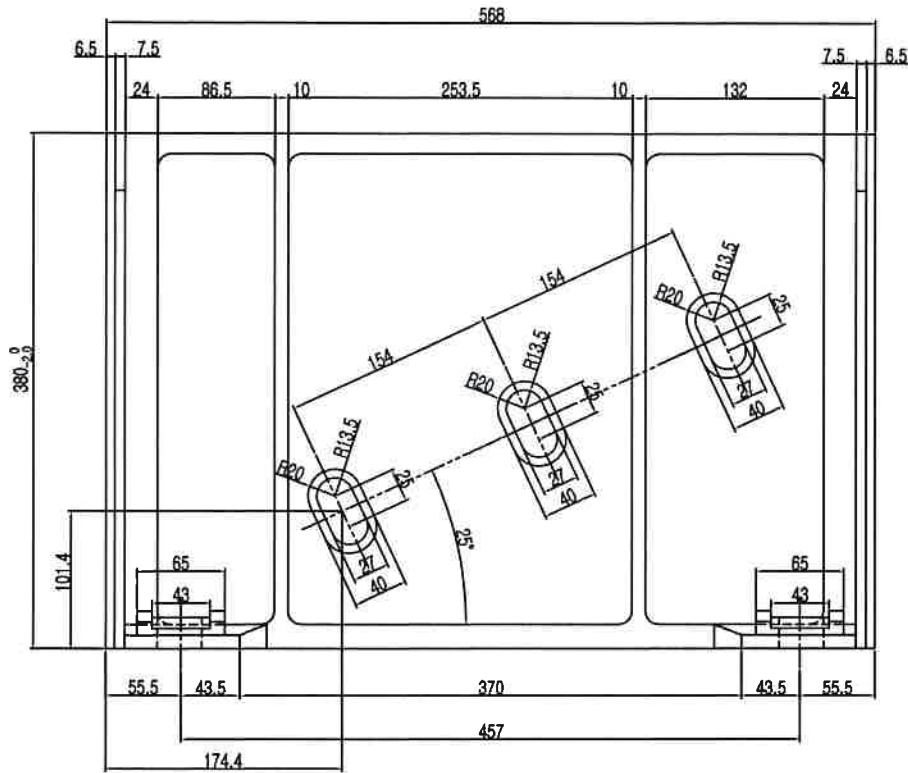
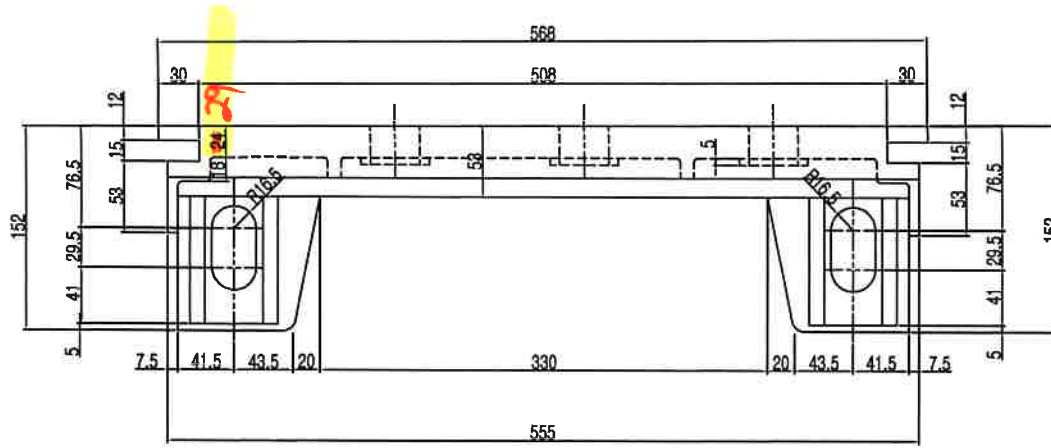


측면에 양각표시

JH003

DRAWING	DESIGNED	CHECKED	APPROVED	DISK NO.	CUSTOMER
Jo.K.Y	No.M.S	Chang	Jo.K.Y	PROJ. NO.	군포환경관리소
2019.09	2019.09	2019.09	2019.09	SCALE	PROJECT 소각로 환격자 및 Side Plate 외 제작 구매
(주)진화메탈					TITLE
					TITLE
					DWG. NO.
					JH-190904-NO-01

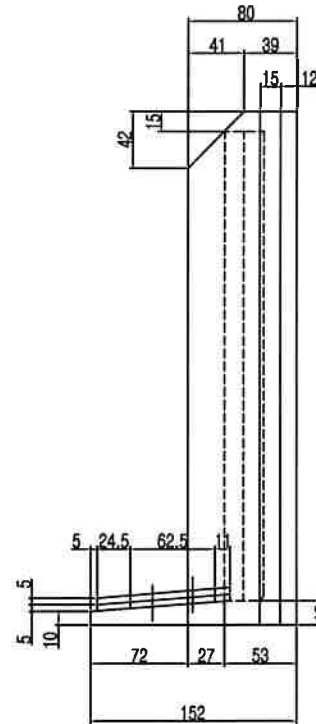
NO.	DESCRIPTION	SIZE	MATERIAL	Q'TY	WEIGHT (kg)		REMARKS
					UNIT	TOTAL	
1	LR5142		28%Cr Cast Iron	10			



VIEW 'A'

'A'

'A'

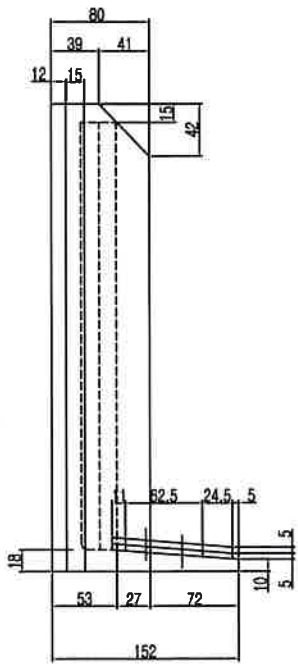
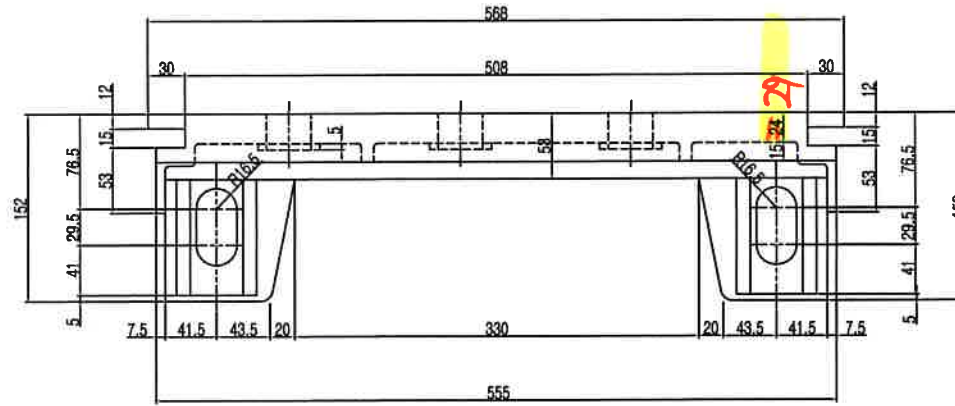


안쪽에 양각표시

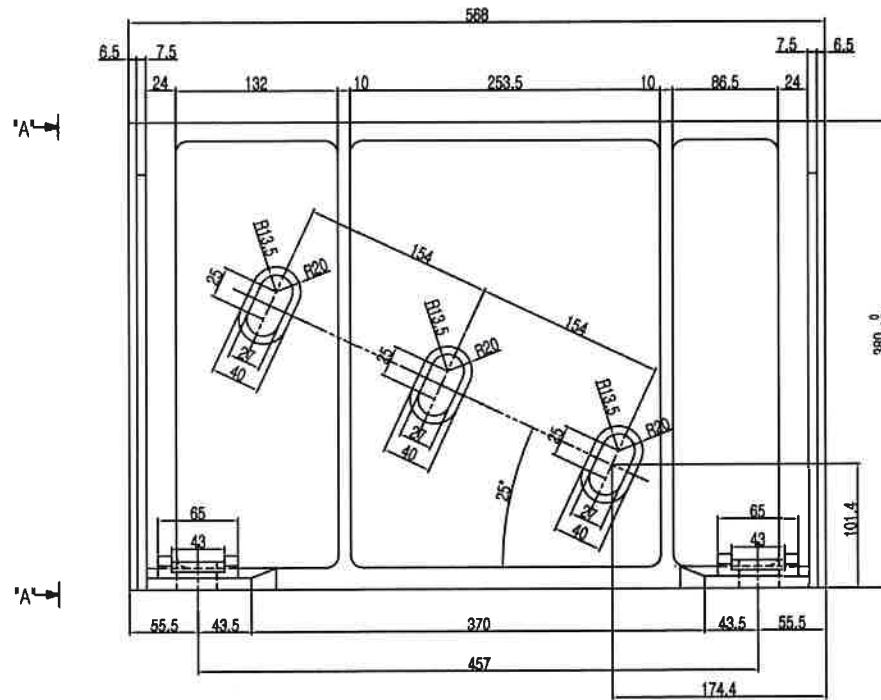
JH-LR5142

DRAWING	DESIGNED	CHECKED	APPROVED	DISK NO.	CUSTOMER
Jo.K.Y	No.M.S	Chang	Jo.K.Y	PROJ. NO.	군포환경관리소
2019.09	2019.09	2019.09	2019.09	SCALE	PROJECT 소각로 화격자 및 Side Plate 외 제작 구매
(주)진화메탈					TITLE SIDE PLATE 좌(LR5142)
					DWG. NO. JH-190904-NO-04

NO.	DESCRIPTION	SIZE	MATERIAL	Q'TY	WEIGHT (kg)		REMARKS
					UNIT	TOTAL	
1	LR5143		28%Cr Cast Iron	11			




VIEW "A"



안쪽에 양각표시

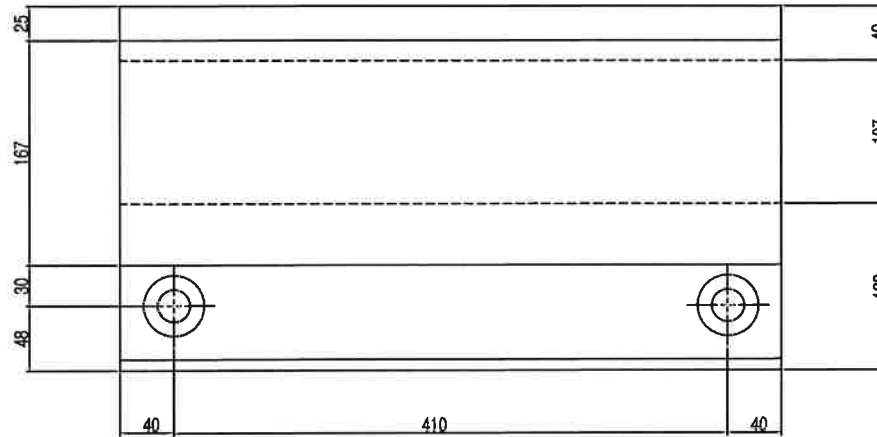
JH-LR5143

DRAWING	DESIGNED	CHECKED	APPROVED	DISK NO.	CUSTOMER
Jo.K.Y	No.M.S	Chang	Jo.K.Y		군포환경관리소
2019.09	2019.09	2019.09	2019.09	PROJ. NO.	PROJECT 소각로 화격자 및 Side Plate 외 제작 구매
				SCALE	TITLE SIDE PLATE 우(LR5143)
 (주)진화메탈					DWG. NO. JH-190904-NO-05

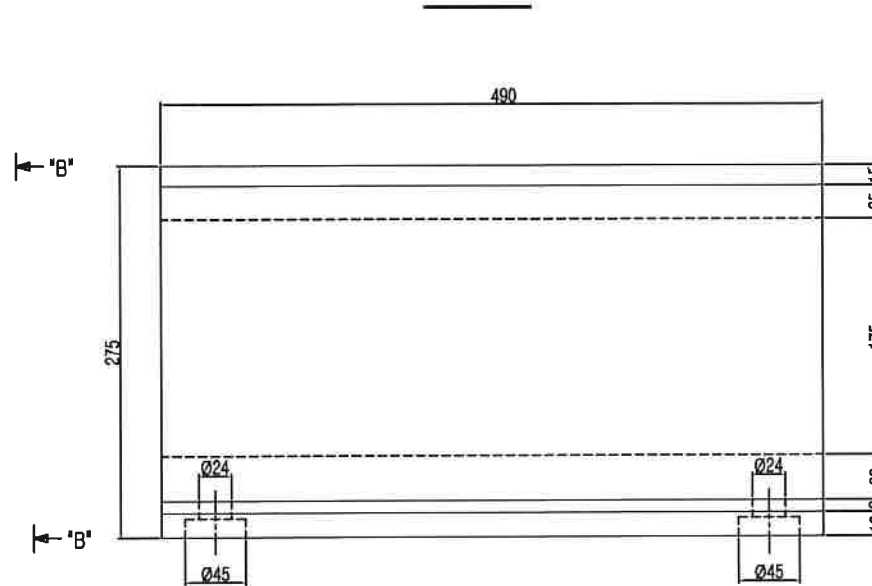
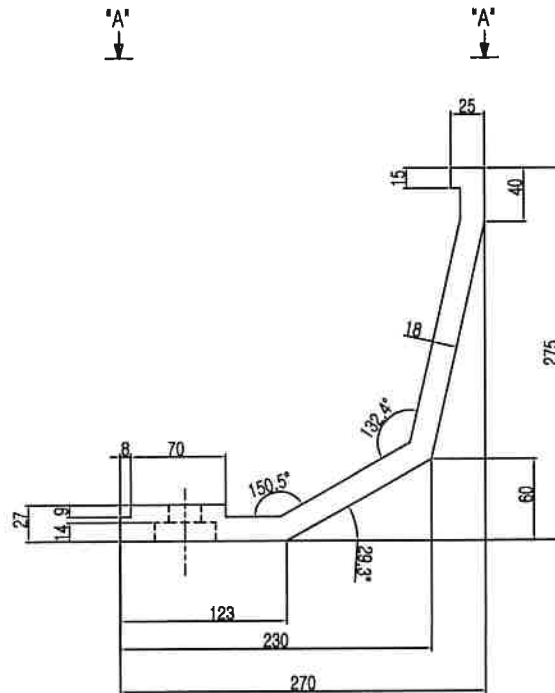
NO.	DESCRIPTION	SIZE	MATERIAL	Q'TY	WEIGHT (kg)		REMARKS
					UNIT	TOTAL	
1	LR5155		28%Cr Cast Iron	5			

안쪽에 양각표시


JH-LR5155



VIEW "A"



VIEW "B"

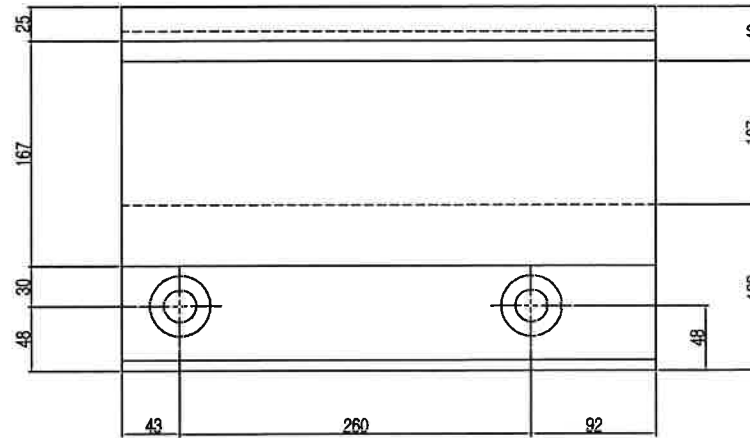
DRAWING	DESIGNED	CHECKED	APPROVED	DISK NO.	CUSTOMER
Jo.K.Y	No.M.S	Jo.K.Y	Jo.K.Y	PROJ. NO.	군포환경관리소
2019.09	2019.09	2019.09	2019.09	SCALE	PROJECT 소각로 화격자 및 Side Plate 외 제작 구매
 (주)진화메탈					TITLE FEEDER PLATE 중 (LR5155)
					DWG. NO. JH-190904-NO-07



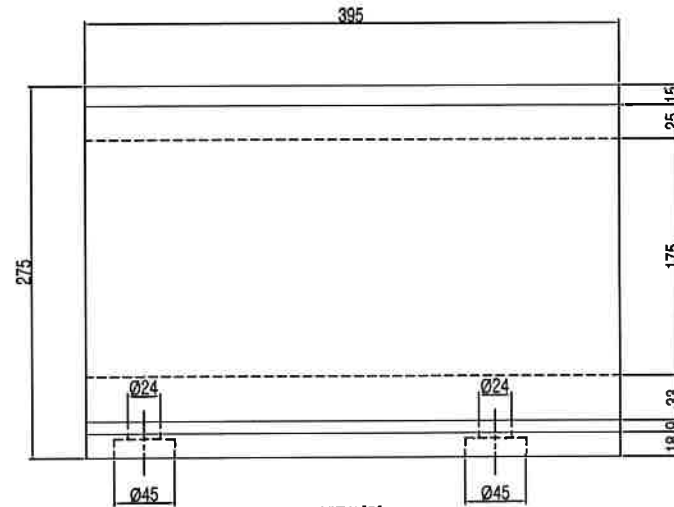
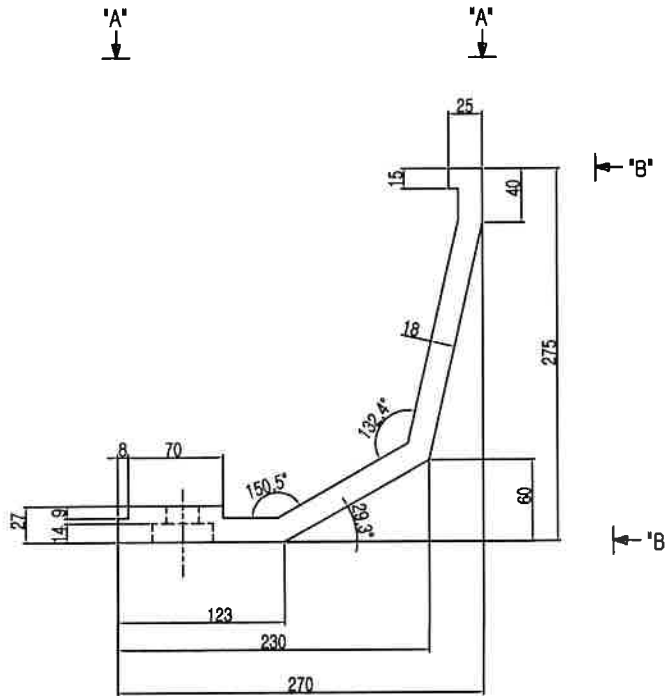
NO.	DESCRIPTION	SIZE	MATERIAL	Q'TY	WEIGHT (kg)		REMARKS
					UNIT	TOTAL	
1	LR5155-1		25%Cr Cast Iron	1			

안쪽에 양각표시


JH-LR5155-1



VIEW 'A'



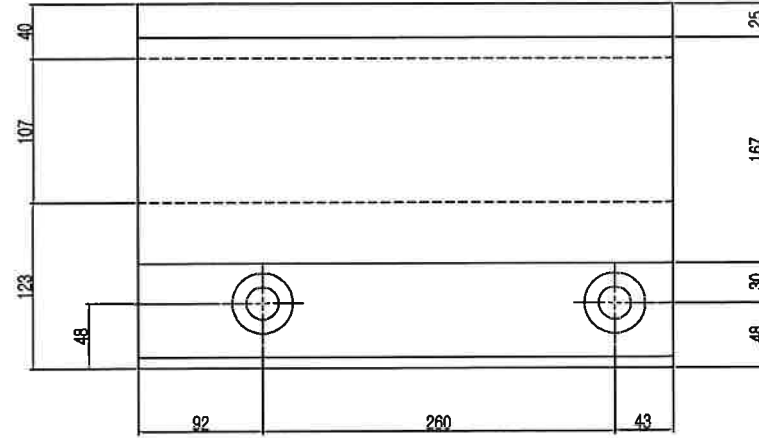
VIEW 'B'

DRAWING	DESIGNED	CHECKED	APPROVED	DISK NO.	CUSTOMER
Jo.K.Y	No.M.S	Chang	Jo.K.Y		군포환경관리소
2019.09	2019.09	2019.09	2019.09		PROJECT 소각로 화격자 및 Slide Plate 외 제작 구매
 <b>(주)진화메탈</b>					TITLE
					FEEDER PLATE 杼 (LR5155-1)
DWG. NO.					JH-190904-NO-06

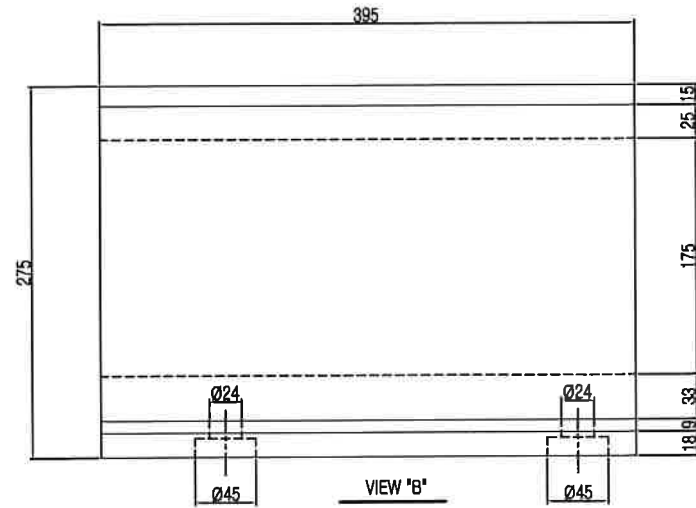
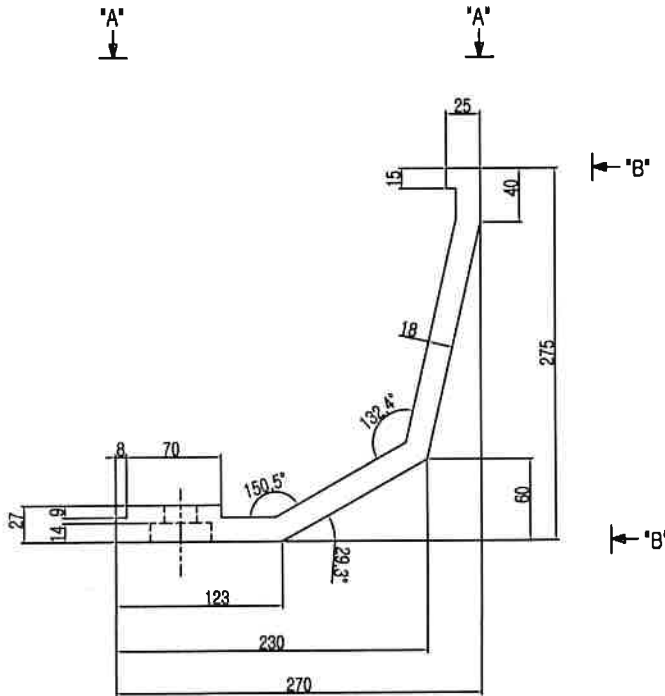
NO.	DESCRIPTION	SIZE	MATERIAL	Q'TY	WEIGHT (kg)		REMARKS
					UNIT	TOTAL	
1	LR5155-2		28%Cr Cast Iron	1			

안쪽에 양각표시

JH-LR5155-2



VIEW 'A'

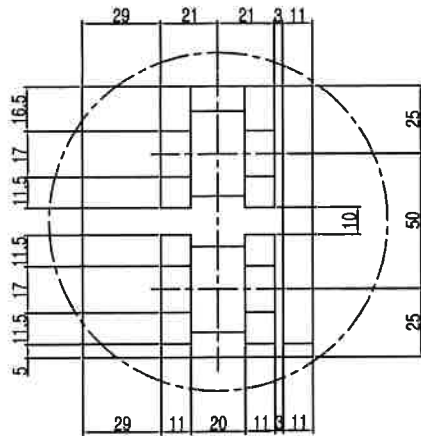


VIEW 'B'

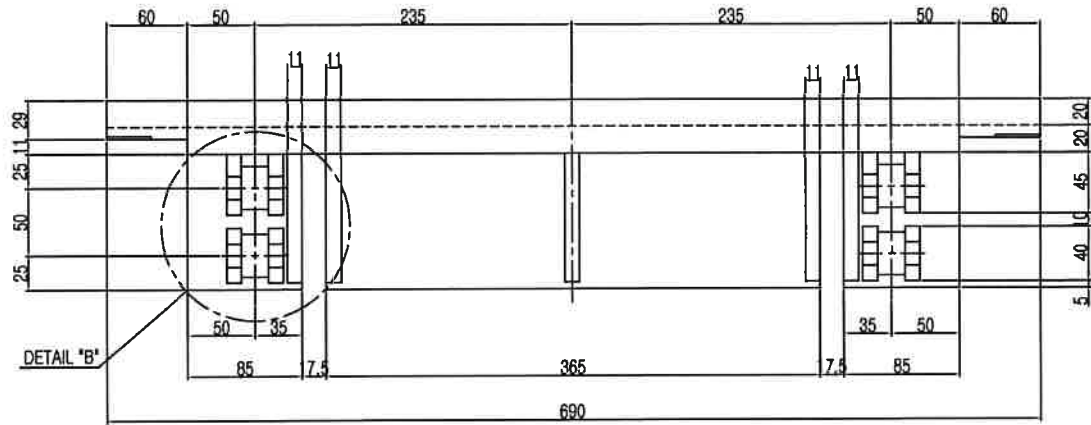
DRAWING	DESIGNED	CHECKED	APPROVED	DISK NO.	CUSTOMER
Jo.K.Y	No.M.S	Chang	Jo.K.Y		군포환경관리소
2019.09	2019.09	2019.09	2019.09		PROJECT 소각로 화격자 및 Side Plate 외 제작 구매
(주)진화메탈					TITLE FEEDER PLATE 우(LR5155-2)
					DWG. NO. JH-190904-NO-08



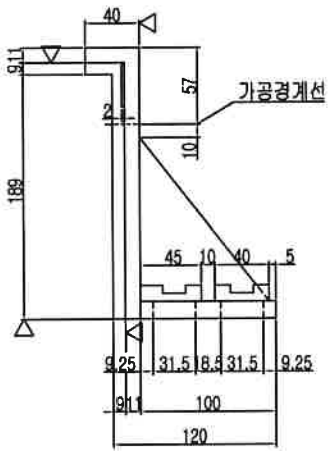
NO.	DESCRIPTION	SIZE	MATERIAL	Q'TY	WEIGHT (kg)		REMARKS
					UNIT	TOTAL	
1	LR5151		28%Cr Cast Iron	10			



DETAIL 'B'

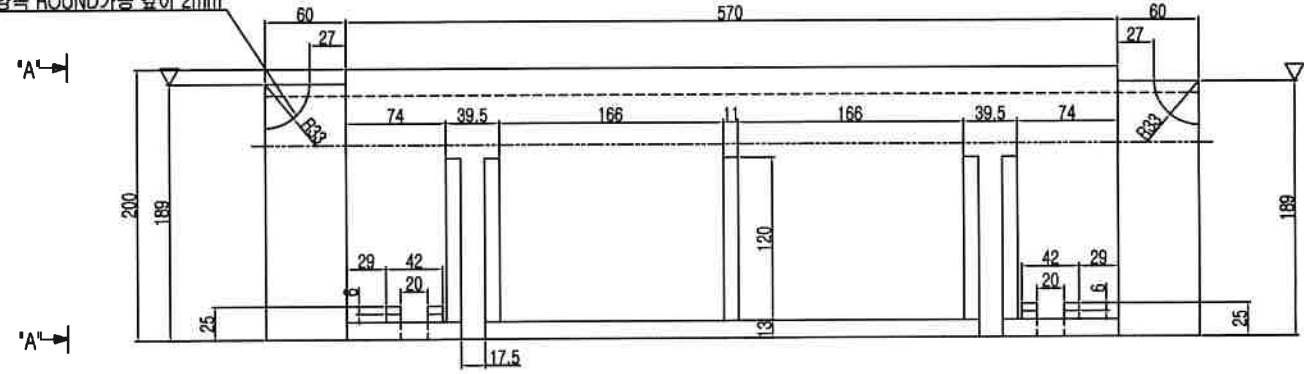


DETAIL 'B'



VIEW 'A'

앞쪽 ROUND가공 깊이 2mm

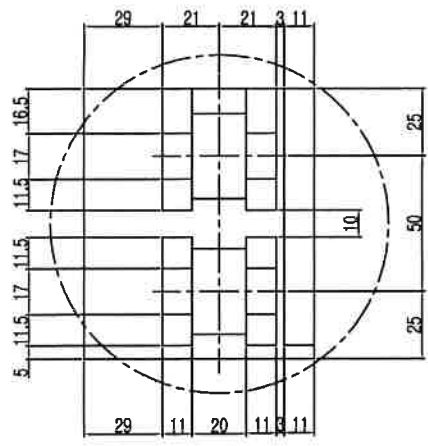


안쪽에 양각표시

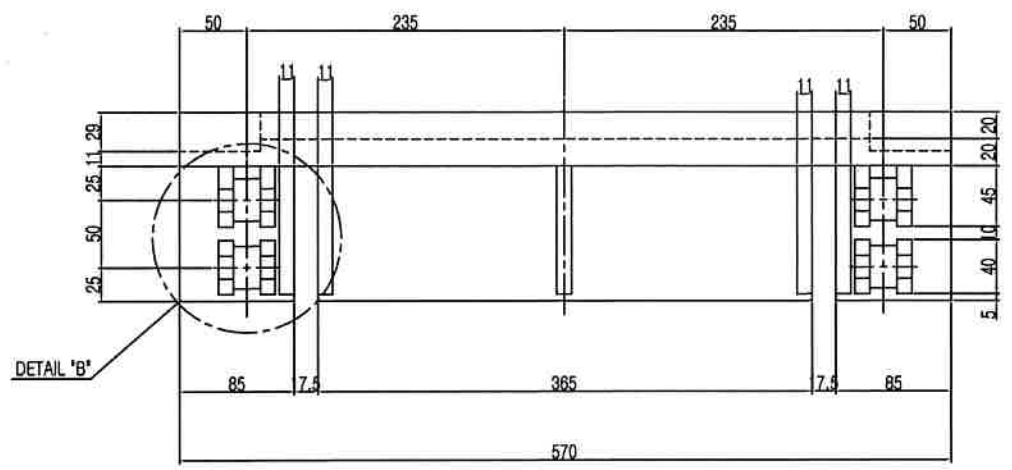
JH-LR5151

DRAWING	DESIGNED	CHECKED	APPROVED	DISK NO.	CUSTOMER
Jo.K.Y	No.M.S	Chang	Jo.K.Y	PROJ. NO.	군포환경관리소
2019.09	2019.09	2019.09	2019.09	SCALE	PROJECT 소각로 화격자 및 Side Plate 외 제작 구매
					TITLE
					TITLE
					DWG. NO. JH-190904-NO-10

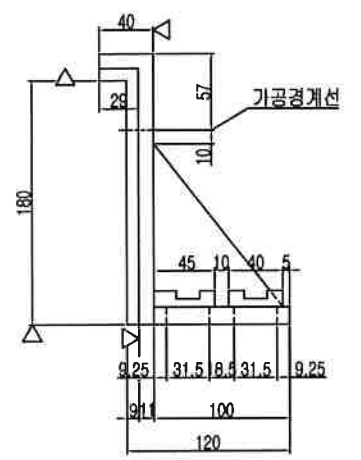
NO.	DESCRIPTION	SIZE	MATERIAL	Q'TY	WEIGHT (kg)		REMARKS
					UNIT	TOTAL	
1	LR5152		28%Cr Cast Iron	10			



DETAIL "B"



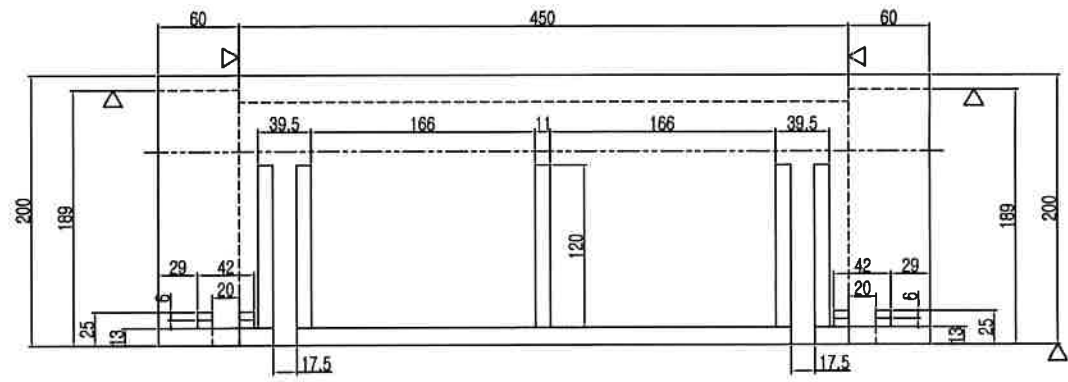
DETAIL "B"



VIEW "A"

"A" →

"A" →

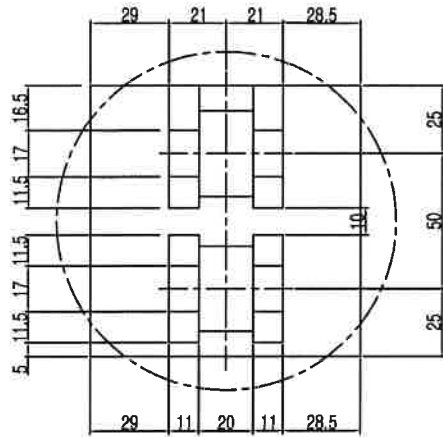


안쪽에 양각표시

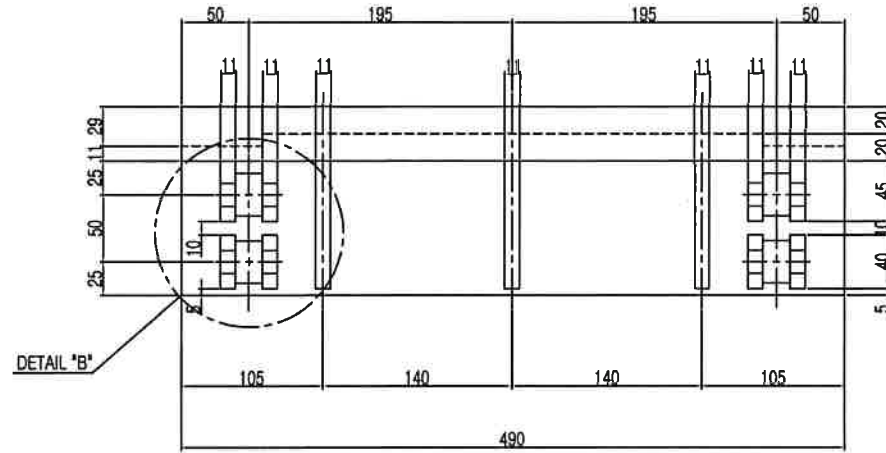
JH-LR5152

DRAWING	DESIGNED	CHECKED	APPROVED	DISK NO.	CUSTOMER
Jo.K.Y	No.M.S	Chang	Jo.K.Y	PROJ. NO.	군포환경관리소
2019.09	2019.09	2019.09	2019.09	SCALE	PROJECT 소각로 화격자 및 Side Plate 외 제작 구매
(주)진화메탈					TITLE
					TITLE
					DWG. NO.
					DWG. NO.
					JH-190904-NO-11

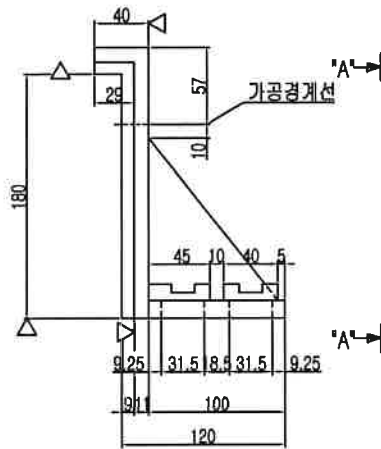
NO.	DESCRIPTION	SIZE	MATERIAL	Q'TY	WEIGHT (kg)		REMARKS
					UNIT	TOTAL	
1	LR5153		28%Cr Cast Iron	3			



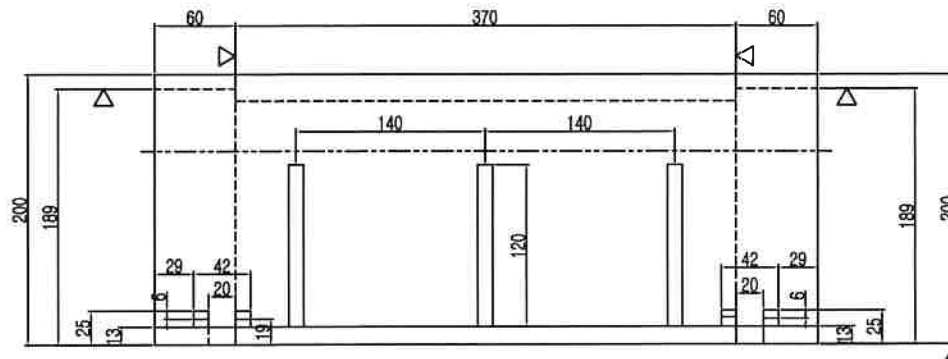
DETAIL "B"



DETAIL "B"




VIEW "A"



안쪽에 양각표시

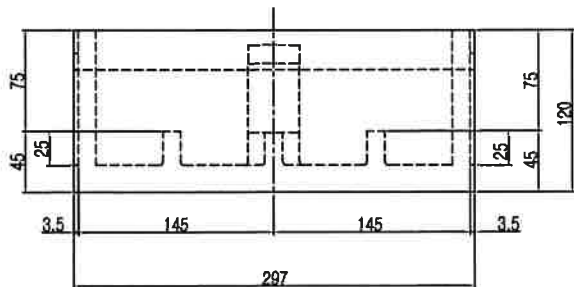
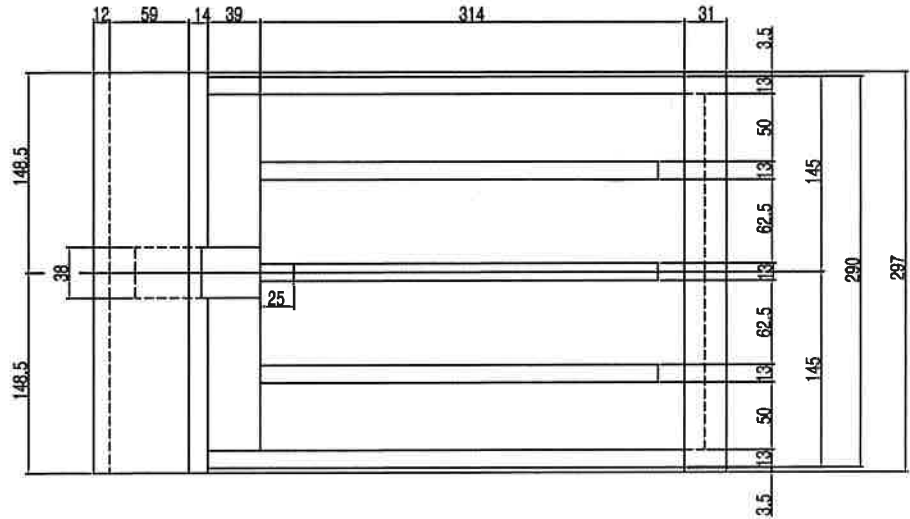
JH-LR5153

DRAWING	DESIGNED	CHECKED	APPROVED	DISK NO.	CUSTOMER
Jo.K.Y	No.M.S	Chang	Jo.K.Y		군포환경관리소
2019.09	2019.09	2019.09	2019.09		PROJECT 소각로 화격자 및 Side Plate 외 제작 구매
 (주)진화메탈					TITLE COVERING PLATE (LR5153)
					DWG. NO. JH-190904-NO-12

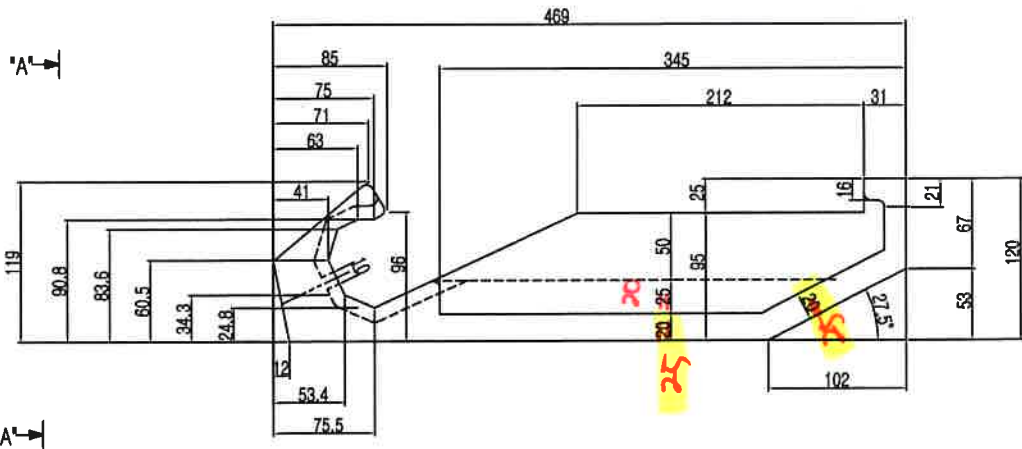
NO.	DESCRIPTION	SIZE	MATERIAL	Q'TY	WEIGHT (kg)		REMARKS
					UNIT	TOTAL	
1	LR5154		28%Cr Cast Iron	22			


안쪽에 양각표시

JH-LR5154



VIEW "A"



DRAWING	DESIGNED	CHECKED	APPROVED	DISK NO.	CUSTOMER
Jo.K.Y	No.M.S	Chang	Jo.K.Y	PROJ. NO.	군포환경관리소
2019.09	2019.09	2019.09	2019.09	SCALE	PROJECT 소각로 화력지 및 Side Plate 외 제작 구매
 <b>(주)진화메탈</b>					TITLE
					JH-LR5154
DWG. NO.					JH-190904-NO-09